

DCM

LOUDSPEAKERS
1 Mitek Plaza
Winslow, IL 61089
Phone (877)DCM-LOUD

Visit our Internet web site at: www.dcmspeakers.com

DCM is a registered trademark of Mitek Corporation.

Due to our policy of continuous improvement, specifications are subject to change without notice.

21A8364

DCM

LOUDSPEAKERS

Owners Manual

TFE60 / TFE60C /

TFE100 / TFE200

INTRODUCTION

Congratulations on your purchase of DCM Time Frame Evolution Series Loudspeakers. Your new speakers represent the latest technologies in loudspeaker design and manufacturing. They will provide outstanding performance and years of listening enjoyment. Please take time to read through this manual thoroughly to insure you get maximum performance out of your new loudspeakers.

FEATURES

- Video shielding for placement near a TV or monitor
- 30 mm Teteron® dome tweeter
- Kevlar cone midrange in a separate sealed enclosure (TFE100 and TFE200)
- Kevlar cone woofer (TFE60 and TFE60C)
- Glass fiber cone woofer (TFE100 and TFE200)
- Internally braced Medium Density Fiberboard (MDF) cabinets, 1" thick front baffle
- Bi-ampable
- Nickel-plated 5-way binding posts
- Rich Dark Cherry finish to blend in with any decor
- Perforated, radiused steel grille
- Feet with adjustable or removable carpet spikes (TFE100 and TFE200)
- Foam feet (TFE60 and TFE60C)
- DCM 10 year warranty

SPEAKER PLACEMENT

All DCM Time Frame Evolution Series Loudspeakers have been engineered to combine deep, powerful bass with crisp, natural high frequency performance. Because there are many factors that affect loudspeaker performance, there is no universal rule for speaker location. Best results will be obtained with some experimentation using the following guidelines.

HOME THEATER SYSTEM

FRONT LEFT AND RIGHT CHANNELS

To achieve the most realistic front image, position the speakers so that an equilateral triangle is formed between the front left and right speakers and the listening position (Figure 1). Turning the speakers slightly inward towards the listening position can improve the image focus. Set the surround processor or receiver to the "large" setting on the "front speaker size" (or similar description) control.

Bass loudness can be increased by moving the speakers closer to the rear wall. This sometimes can degrade the front image. Use your judgement as to what location best fits your preference. We recommend that the speakers be kept at least 24" from the rear wall and 36" from the side walls for optimal imaging.

SURROUND LEFT AND RIGHT CHANNELS

If you are using the TFE60, TFE100 or TFE200 for rear channel speakers, they should be placed along the side walls and slightly behind the listening position (Figure 1). If this is not practical, they can be placed along the rear wall to either side of the listening position (Figure 2). For best results, the surround speakers should be spaced equal distances from the listening position.

MULTI-CHANNEL AUDIO SYSTEM

The TFE Series is engineered to deliver all the definition, bandwidth and dynamic range of 5.1 channel audio (whether SACD or DVD-Audio) with astonishing realism. In fact both the TFE100 and TFE200 have sufficient low frequency extension that the user has the option of eliminating the subwoofer and just use five TFE100's or TFE200's for the complete system. Be sure that your surround processor or receiver has sufficient bass management capability to direct full range signals to the five main speakers if you are not using a subwoofer (See Figure 3). Both models are identically timbre-matched so that a combination of TFE100's and TFE200's can be used in a five channel system with the result being a seamless three dimensional image and total musical envelopment. For example, three TFE200's could be used for the front left, right and center channel speakers, and two TFE100's for the left and right rear speakers. Alternatively, TFE100's and TFE200's could be used for the front left and right speakers, TFE60C for the center channel speaker and TFE60's for the left and right rear speakers.

TWO CHANNEL STEREO SYSTEM

When using the TFE60, TFE100 or TFE200 in a two channel stereo system, to achieve the most realistic stereo image, position the speakers so that an equilateral triangle is formed between the speakers and the listening position (Figure 4). Turning the speakers slightly inward towards the listening position can improve the stereo image focus.

Bass loudness can be increased by moving the speakers closer to the rear wall. This sometimes can

NOTES

degrade the stereo image. Use your judgement as to what location best fits your preferences. We recommend that the speakers be kept at least 24" from the rear wall and 36" from the side wall for optimal imaging.

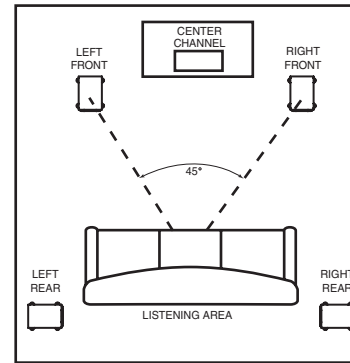


Figure 1- Typical Home Theater Loudspeaker Placement

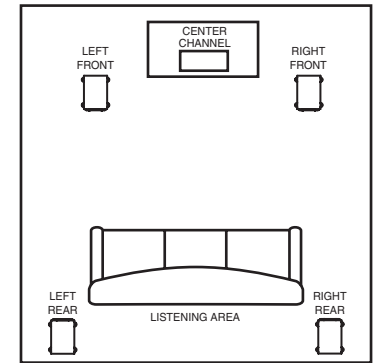


Figure 2- Alternate Home Theater Loudspeaker Placement

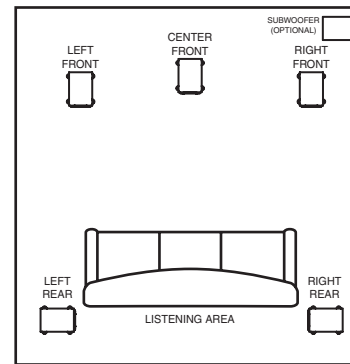


Figure 3- Typical Multi-Channel Audio Loudspeaker Placement

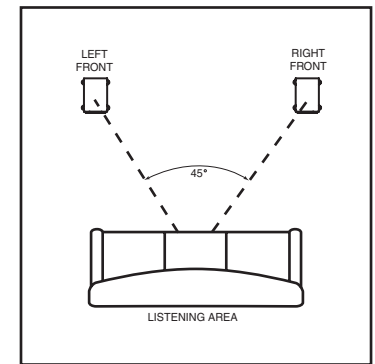


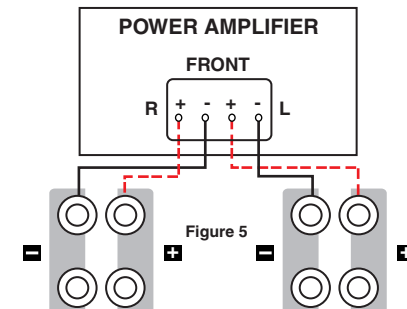
Figure 4- Typical 2 channel Stereo Loudspeaker Placement

HOOK UP

Use 16 gauge or heavier speaker wire for connecting to your amplifier or receiver. Cut wire lengths leaving an extra 12" to 24" at each end to allow for moving the speaker or receiver.

Using a wire cutter or a sharp knife, strip 1/2" of insulation off each end of the wire to expose the conductor. Twist wire ends to prevent from fraying. Connect the conductors to the binding posts on the bottom or back of the speaker by unscrewing the post enough to expose the hole in the terminal post. Slip the exposed conductor in the hole and tighten the post. Repeat this step for connecting to your amplifier or receiver. Refer to the owner's manual supplied with your electronics to assist with proper hook up.

Note: To ensure proper performance, make sure that the wire from the red (+) terminal on the speaker is connected to the red (+) terminal on your amplifier or receiver. Likewise, make sure the wire from the black (-) terminal on the speaker is connected to the black (-) terminal on the amplifier or receiver. (Figure 5)



Once your speakers are hooked up, turn on your electronics and test to make sure they are functioning properly. If your speakers sound "thin" with little bass and have a poor center image, one of the speaker wires is probably hooked up backwards. Double check all connections for proper polarity.

BI-WIRING AND BI-AMPING

If you decide to bi-wire or bi-amp, you must remove the flat metal jumpers between terminal posts. Failure to do this could result in damage to your amplifier and loudspeakers.

Bi-Wiring (Figure 6) can provide noticeable improvements in the overall transparency of your loudspeakers. Run separate speaker wires to the low and high frequency drivers from a single amplifier: after removing the jumpers, connect one set of speaker wires to the upper terminals on each speaker and one set (usually heavier gauge) wires to the lower terminals. Connect the other ends of both wire sets to the corresponding amplifier outputs.

Bi-amping (Figure 7) allows you to use separate amplifiers for the high and low frequency sections of your loudspeaker for greater dynamic range and lower distortion. After removing the jumpers, connect the speaker wires from the high frequency amplifier outputs to the upper set of terminal posts on each speaker. Follow the same procedure for connecting the low frequency amplifier outputs to the lower set of terminals. Remember to maintain correct wiring polarity (+ to +, - to -) in all connections.

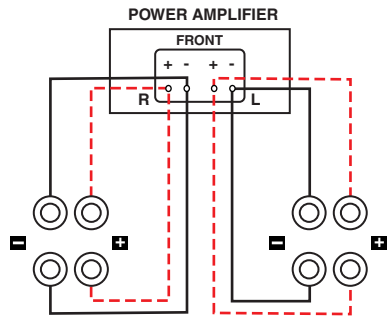


Figure 6

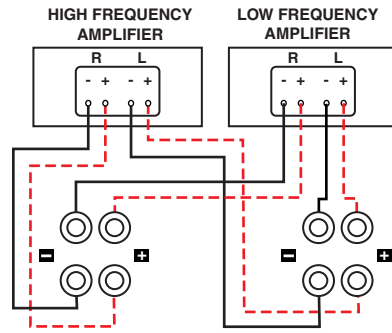


Figure 7

SPECIFICATIONS

TFE100

Driver Complement

Woofer- 6-1/2" Glass Fiber cone, NBR rubber surround

Midrange- 6-1/2" Kevlar cone, NBR rubber surround

Tweeter- 30mm Teteron® dome with 1" voice coil

Frequency Response: 35Hz - 20kHz

Impedance: 6 ohms nominal

Power Handling: 150W RMS / 300W peak music

Sensitivity: 88dB 2.83V/1m

Dimensions: 37-3/4" H x 8" W (9-1/2" w/feet) x 16" D

Unit Weight: 46 lbs.

TFE200

Driver Complement

Woofer- (2) 6-1/2" Glass Fiber cone, NBR rubber surround

Midrange- 6-1/2" Kevlar cone, NBR rubber surround

Tweeter- 30mm Teteron® dome with 1" voice coil

Frequency Response: 30Hz - 20kHz

Impedance: 6 ohms nominal

Power Handling: 200W RMS / 400W peak music

Sensitivity: 88dB 2.83V/1m

Dimensions: 45-11/16" H x 8" W (9-1/2" w/feet) x 20-7/8" D

Unit Weight: 64 lbs.

TFE60

Driver Complement

Woofer- 6-1/2" Kevlar cone, NBR rubber surround

Tweeter- 30mm Teteron® dome with 1" voice coil

Frequency Response: 42Hz - 20kHz

Impedance: 6 ohms nominal

Power Handling: 100W RMS / 200W peak music

Sensitivity: 88dB 2.83V/1m

Dimensions: 17-1/2" H (17-3/4" w/feet) x 8" W x 16" D

Unit Weight: 21.5 lbs.

TFE60C

Driver Complement

Woofer- 6-1/2" Kevlar cone, NBR rubber surround

Passive Radiator- 6-1/2" Kevlar cone, NBR rubber surround

Tweeter- 30mm Teteron® dome with 1" voice coil

Frequency Response: 50Hz - 20kHz

Impedance: 6 ohms nominal

Power Handling: 100W RMS / 200W peak music

Sensitivity: 88dB 2.83V/1m

Dimensions: 8" (8-1/4" w/feet) H x 20-1/2" W x 13-7/8" D

Unit Weight: 21.5 lbs.

POINTES DE DÉCOUPLAGE

Les enceintes TFE100 et TFE200 sont équipées de pointes de découplage réglables permettant d'immobiliser l'enceinte sur les sols revêtus de moquette. Avant l'expédition, les pointes sont rentrées dans les pieds en plastique. Laissez les enceintes dans cette configuration si vous voulez qu'elles reposent sur leurs pieds sans utiliser les pointes. Pour faire reposer les enceintes sur les pointes, abaissez-les pour les faire dépasser sous la base des pieds en procédant comme suit :

- 1) Inclinez avec précaution l'enceinte vers l'arrière ou l'un des côtés.
- 2) Desserrez à l'aide d'une clé à écrou de l'axe de la pointe.
- 3) Dévissez la pointe jusqu'au niveau voulu sous la base du pied.
- 4) Serrez fermement l'écrou contre la base de l'enceinte.
- 5) Procédez de la même façon avec les trois autres pieds.
- 6) Remettez avec précaution l'enceinte debout.

PIEDS AMOVIBLES

Le coffret des modèles TFE60C et TFE60 contient des pieds en mousse en vrac dont l'installation est facultative. Si l'enceinte est montée sur une étagère ou un téléviseur (non montée sur un mur), les pieds peuvent être installés sous l'enceinte. Retirez simplement le revêtement du côté adhésif des pieds et montez-les près des coins de l'enceinte.

ENTRETIEN ET MAINTENANCE

Ces enceintes ont été conçues pour fonctionner avec une large gamme de composants électroniques. Dans la plupart des applications, 30 watts par canal suffisent pour obtenir une puissance adéquate. Pour une grande pièce ou des niveaux sonores élevés, une puissance supérieure peut être requise.

Attention : N'utilisez pas un amplificateur de puissance supérieure à la puissance nominale de l'enceinte. Si vous entendez une distorsion très importante, c'est que vous dépassez la capacité du système. Une telle distorsion peut provoquer des dommages. Réduisez le volume jusqu'à disparition de la distorsion.

Suivez les directives suivantes pour conserver leur aspect aux enceintes. Utilisez un chiffon doux et humide pour nettoyer le coffret de l'enceinte. Évitez d'utiliser des détergents ou des liquides de nettoyage puissants. Ne passez pas l'aspirateur sur les composants de l'enceinte car cela pourrait les endommager de façon irréversible.

ASSISTANCE TECHNIQUE

Pour obtenir d'autres informations d'assistance technique, visitez notre site dcmspeakers.com. Vous pouvez également contacter nos spécialistes d'assistance technique par téléphone au 1-877-DCM-LOUD ou par courrier électronique : technical@dcmspeakers.com.

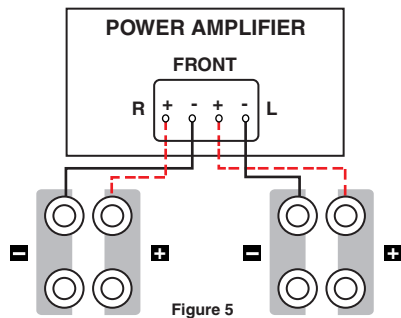


Figure 5

Une fois les enceintes raccordées, mettez l'électronique sous tension et faites un essai pour vérifier le bon fonctionnement. Si le son des enceintes semble « ténu » avec peu de graves, c'est probablement que les polarités des fils d'enceintes n'ont pas été respectées. Vérifiez à nouveau la polarité de tous les raccordements.

BI-CÂBLAGE ET BI-AMPLIFICATION

Si vous décidez d'effectuer un bi-câblage ou une bi-amplification, retirez les cavaliers métalliques plats placés entre les bornes afin de ne pas endommager l'amplificateur et les enceintes.

Le bi-câblage (Figure 6) permet des améliorations notables de la transparence d'ensemble des enceintes. Acheminez des fils de haut-parleur distincts vers les haut-parleurs basse fréquence et haute fréquence à partir d'un même amplificateur : après avoir retiré les cavaliers, raccordez un jeu de fils de haut-parleur aux bornes supérieures de chaque enceinte et un jeu (en général de plus gros calibre) aux bornes inférieures. Raccordez les autres extrémités des deux jeux de fils aux sorties d'amplificateur correspondantes.

La bi-amplification (Figure 7) permet d'utiliser des amplificateurs distincts pour les sections haute et basse fréquence de l'enceinte afin de permettre une plage dynamique plus large et une distorsion plus faible. Après avoir retiré les cavaliers, raccordez les fils de haut-parleur des sorties d'amplificateur haute fréquence aux bornes supérieures de chaque enceinte. Procédez de la même façon pour le raccordement des sorties d'amplificateur basse fréquence aux bornes inférieures. Pensez à respecter les polarités de tous les raccordements (+ au +, - au -).

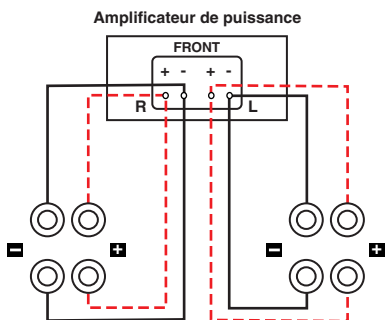


Figure 6

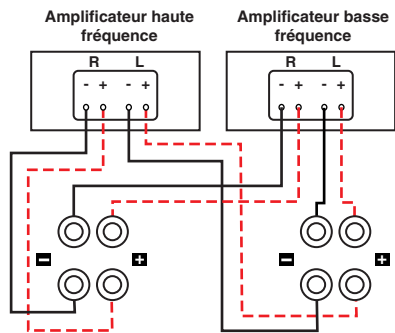


Figure 7

RETRAIT DE LA GRILLE

Pour retirer la grille d'acier, desserrez à l'aide d'une clé Allen de 3/16" les quatre vis des agrafes en plastique maintenant la grille. Une fois les vis retirées, les agrafes sont libérées et la grille peut être enlevée.

MONTAGE MURAL

Les modèles TFE60 et TFE60C comprennent des douilles taraudées à l'arrière de l'enceinte, compatibles avec les systèmes à montage mural en option qui permettent le montage des enceintes sur un mur. Nous recommandons l'utilisation des systèmes de montage mural Omnimount série 30.0 ou 60.0 (www.omnimountpro.com) avec ces systèmes.

REMOVING THE GRILLE

The steel grille can be removed by loosening the four screws in the plastic clips that hold the grille, using 3/16" Allen wrench. When the screws are removed the clips will come loose, and then the grille will release.

WALL MOUNTING

The TFE60 and TFE60C include threaded inserts on the rear of the cabinet to work with optional wall mount systems that allow the speakers to be mounted to a wall. We recommend Omnimount Systems 30.0 or 60.0 Series wall mounts (www.omnimountpro.com) for use with these systems.

SPIKE FEET

The TFE100 and TFE200 have adjustable carpet spikes that can be used to anchor the speaker securely to the floor on carpeted surfaces. The speakers are shipped with the spikes recessed up into the plastic feet. Use the speakers in this configuration if you do not intend to use the spikes, but instead want the speakers to rest on the feet. If you desire the speakers to rest on the spikes, follow these steps to lower the spikes to a position below the bottom of the feet (7mm and 10mm sockets or nut drivers are needed):

- 1) Carefully tip the speaker over on the rear or one of the sides.
- 2) With a wrench, loosen the nut on the shaft of the spike.
- 3) Unscrew the spike to the desired level below the bottom of the foot.
- 4) Tighten the nut firmly against the bottom of the speaker.
- 5) Repeat this process for the other three feet.
- 6) Carefully raise the speaker back to the upright position.

REMOVABLE FEET

The TFE60C and TFE60 have optional foam feet shipped loose in the box. If the speaker will be mounted on a shelf or a television (not wall mounted), the feet can be applied to the bottom of the cabinet. Simply remove the backer from the adhesive side of the feet and mount the feet near the corners of the cabinet.

CARE AND MAINTENANCE

Your speakers are designed to work with a wide range of electronic components. As little as 30 watts per channel can provide enough power for most applications. If you have a large room or prefer louder listening levels, more power may be required.

Caution: When choosing an amplifier, do not exceed the power rating of the speaker. If you hear very high levels of audible distortion you are exceeding the capabilities of the system. Damage can occur from this distortion, turn the volume back down until the distortion disappears.

Use the following guidelines to maintain the appearance of your speakers. Use a soft, damp cloth to clean the speaker cabinet. Avoid using harsh detergents or cleaning fluids. Do not vacuum any of the speaker components, permanent damage could occur.

TECHNICAL ASSISTANCE

For additional technical assistance you can visit our website at dcmspeakers.com. Otherwise, our technical service representatives can be reached by phone: 1-877-DCM-LOUD or by e-mail: technical@dcmspeakers.com.

DCM WARRANTY INFORMATION

All Time Frame Evolution Series Loudspeakers purchased in the United States from an authorized DCM dealer are guaranteed against defects in material and workmanship for a period of ten years from the date purchased by the end user, and limited to the original retail purchaser of the product. Product found to be defective during that period will be repaired or replaced by DCM at no charge. This warranty is void if it is determined that unauthorized parties have attempted repairs or alterations of any nature. Warranty does not extend to cosmetics or finish. Before presuming a defect is present in the product, be certain that all related equipment and wiring is functioning properly. DCM disclaims any liability for other incurred damages resulting from product defects. Any expenses incurred in the removal and reinstallation of product is not covered by this warranty. DCM's total liability will not exceed the purchase price of the product. If a defect is present, your authorized DCM dealer may be able to effect repairs.

Proof of purchase is required when requesting service, so please retain your sales receipt and take a moment to register your product on line at dcmspeakers.com.

INTRODUCCIÓN

Felicitaciones por la compra de sus altavoces DCM de la serie Time Frame Evolution. Sus nuevos altavoces representan la más reciente tecnología en diseño y fabricación de altavoces. Estos altavoces le darán un rendimiento sobresaliente y muchos años de placer auditivo. Lea este manual detenidamente para que pueda obtener el máximo rendimiento de sus nuevos altavoces.

CARACTERÍSTICAS

- Blindaje de video para poder ubicar los altavoces cerca de televisores o monitores
- Tweeter de domo blando de 35 mm
- Altavoz de frecuencias medias con cono de Kevlar en caja sellada por separado (TFE100 and TFE200)
- Woofer con cono de Kevlar (TFE60 and TFE60C)
- Woofer con cono de fibra de vidrio (TFE100 and TFE200)
- Cajas de Plancha de Fibra de Densidad Media (Medium Density Fiberboard, MDF) con soportes internos y baffle delantero de 1 plg. de grosor
- Permite amplificación doble
- Terminales de 5 vías enchapadas en níquel
- Acabado de teca Dark Cherry para que armonice con cualquier decorado
- Rejilla de acero perforada radiada
- Patas con púas para alfombra ajustables o desmontables (TFE100 and TFE200)
- Espume pies (TFE60 and TFE60C)
- Diez años de garantía DCM

UBICACIÓN DE LOS ALTAVOCES

Todos los altavoces DCM de la serie Time Frame Evolution han sido diseñados para combinar bajos poderosos y profundos con un rendimiento de frecuencias altas nítido y natural. Como hay muchos factores que afectan el rendimiento de los altavoces, no hay reglas universales sobre su ubicación. Los mejores resultados se obtienen experimentando con las siguientes pautas.

SISTEMA DE CINE EN CASA

CANALES FRONTALES IZQUIERDO Y DERECHO

Para lograr la imagen frontal más realista, ubique los altavoces izquierdo y derecho de manera que formen un triángulo equilátero con la posición del oyente (Figura 1). Girar los altavoces ligeramente hacia la posición del oyente puede mejorar el foco de la imagen. Fije el procesador o receptor surround en la posición "Grande" (large) del control "tamaño de altavoz frontal" (o la descripción similar de tal control).

El volumen de los bajos se puede aumentar acercando los altavoces hacia la pared de atrás. Esto puede a veces degradar la imagen frontal. Decida cuál es la mejor ubicación según su preferencia. Para lograr la mejor formación de imágenes, recomendamos que los altavoces queden a por lo menos 24 plg. de la pared de atrás y 36 plg. de las paredes laterales.

CANALES IZQUIERDO Y DERECHO DE SURROUND

Si está usando altavoces TFE60, TFE100 o TFE200 para los canales posteriores, ubíquelos a lo largo de las paredes laterales y ligeramente detrás de la posición del oyente (Figura 1). Si esto no es práctico, se pueden ubicar a lo largo de la pared de atrás a los lados de la posición del oyente (Figura 2). Para obtener los mejores resultados, los altavoces surround se deben ubicar a la misma distancia de la posición del oyente.

SISTEMA DE AUDIO MULTICANAL

Los altavoces TFE serie han sido diseñados para producir con un realismo asombroso toda la definición, ancho de banda y gama dinámica de los sistemas de audio de 5.1 canales (sean SACD o DVD-Audio). De hecho, TFE100 and TFE200 tienen suficiente extensión de frecuencias bajas para que el usuario tenga la opción de eliminar el subwoofer y utilizar solamente cinco altavoces TFE100 o TFE200 para todo el sistema. Si no está usando un subwoofer, el procesador o receptor surround debe tener suficiente capacidad de administración de bajos como para enviar señales sobre toda la gama de frecuencias a los cinco altavoces principales (vea la Figura 3). Los dos modelos tienen correspondencia de timbre idéntica a fin de que la combinación de altavoces TFE100 y TFE200 se pueda usar en un sistema de cinco canales para producir una imagen tridimensional sin altibajos y una envolvente musical total. Por ejemplo, se pueden usar tres TFE200 como altavoces izquierdo, derecho y central, y dos TFE100 como altavoces posteriores izquierdo y derecho. Otra posibilidad es utilizar altavoces TFE100 o TFE200 como altavoces frontales (derecho e izquierdo), un altavoz TFE60C como altavoz de canal central y altavoces TFE60 como altavoces de atrás (derecho e izquierdo).

SISTEMAS ESTEREOFÓNICOS DE DOS CANALES

Cuando utilice altavoces TFE60, TFE100 o TFE200 en un sistema estereofónico de dos canales, la imagen estereofónica más realista se logra ubicando los altavoces de modo que formen un triángulo equilátero con la posición del oyente (Figura 4). Girar los altavoces ligeramente hacia la posición del oyente puede mejorar el foco de la imagen.

Pour accentuer les graves, vous pouvez approcher les enceintes du mur arrière. Toutefois, cela risque de dégrader la qualité de restitution stéréophonique. Utilisez votre jugement pour déterminer l'emplacement convenant le mieux en fonction de vos préférences. Il est conseillé de placer les enceintes à au moins 60 cm du mur arrière et à 90 cm du mur latéral pour obtenir les meilleurs résultats.

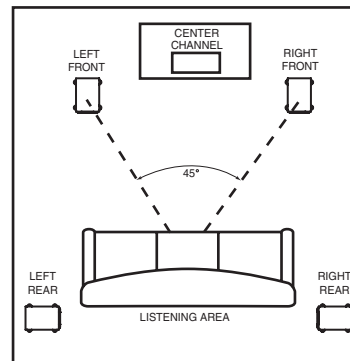


Figure 1

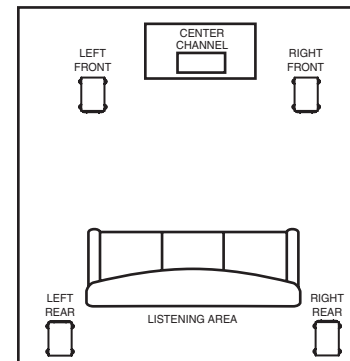


Figure 2

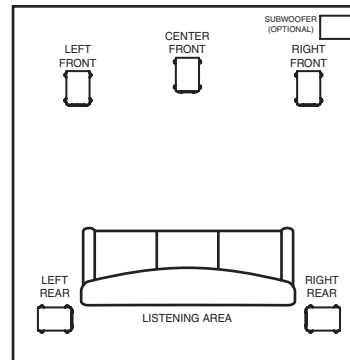


Figure 3

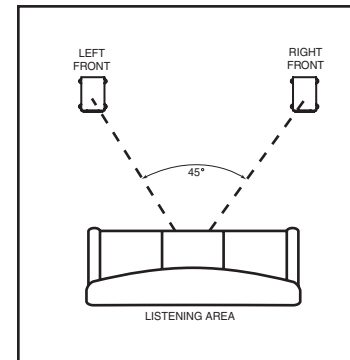


Figure 4

RACCORDEMENT

Utilisez du fil de haut-parleur de calibre 16 ou plus gros pour le raccordement à l'amplificateur ou au récepteur. Coupez les fils en laissant une longueur de 30 à 60 cm à chaque extrémité pour permettre de déplacer l'enceinte ou le récepteur.

Dénudez l'extrémité de chaque fil sur 13 mm à l'aide d'un coupe-fil ou d'un couteau bien aiguisé. Torsadez les extrémités du fil pour l'empêcher de s'effiloche. Raccordez les conducteurs aux bornes de connexion sous ou derrière l'enceinte en dévissant suffisamment la borne pour en exposer l'orifice. Glissez le conducteur dénudé dans le trou et serrez la borne. Répétez cette étape pour le raccordement à l'amplificateur ou au récepteur. Consultez le manuel d'utilisation fourni avec l'appareil électronique pour déterminer comment effectuer un raccordement correct.

Remarque : Pour assurer un bon fonctionnement, veillez à ce que le fil de la borne rouge (+) de l'enceinte soit raccordé à la borne rouge (+) de l'amplificateur ou du récepteur. De même, veillez à ce que le fil de la borne noire (-) de l'enceinte soit raccordé à la borne noire (-) de l'amplificateur ou du récepteur. (Figure 5)

INTRODUCTION

Toutes nos félicitations pour l'achat de ces enceintes DCM de la gamme Time Frame Evolution. Elles bénéficient des dernières technologies en matière de conception et de fabrication d'enceintes. Vous en obtiendrez des performances exceptionnelles et des années de plaisir d'écoute. Veuillez consacrer quelques minutes à la lecture attentive de ce manuel afin de pouvoir obtenir les performances maximales de ces enceintes.

CARACTÉRISTIQUES

- Blindage vidéo pour placement à proximité d'un téléviseur ou d'un moniteur
- Haut-parleur d'aigus de 30 mm à cône souple
- Haut-parleur de médiums à cône Kevlar dans une enceinte close séparée (TFE100 and TFE200)
- Haut-parleur de graves à cône en Kevlar (TFE60 and TFE60C)
- Haut-parleur de graves à cône en fibre de verre (TFE100 and TFE200)
- Coffrets en panneaux de fibres moyenne densité avec renforts internes et écran acoustique avant de 25 mm
- Possibilité de bi-amplification
- Bornes de raccordement nickelées 5 voies
- Finition teck « Dark Cherry » s'harmonisant dans tout décor
- Grille d'acier perforé arrondie
- Pieds à pointes de découplage pour moquette réglables et amovibles (TFE100 and TFE200)
- écumier des pieds (TFE60 and TFE60C)
- Garantie DCM 10 ans

PLACEMENT DES ENCEINTES

Toutes les enceintes DCM de la gamme Time Frame Evolution ont été conçues pour combiner des graves profonds et puissants avec un son haute fréquence clair et naturel. Il n'existe pas de règle universelle pour l'emplacement des enceintes car leur bon fonctionnement dépend de nombreux facteurs. Vous obtiendrez les meilleurs résultats par tâtonnement en suivant les directives ci-dessous.

SYSTÈME DE CINÉMA-MAISON

CANAUX AVANT GAUCHE ET DROITE

Pour obtenir une restitution avant la plus réaliste possible, placez les enceintes avant gauche et droite de façon à former avec la position d'écoute un triangle équilatéral (Figure 1). La focalisation de l'image acoustique peut être améliorée en tournant légèrement les enceintes vers la position d'écoute. Mettez le réglage « front speaker size » (ou autre description semblable) du récepteur ou du processeur ambiophonique sur la position « large ».

Pour accentuer les graves, vous pouvez approcher les enceintes du mur arrière. Toutefois, cela risque de dégrader la qualité de restitution avant. Utilisez votre jugement pour déterminer le meilleur emplacement en fonction de vos préférences. Il est conseillé de placer les enceintes à au moins 60 cm du mur arrière et à 90 cm des murs latéraux pour obtenir les meilleurs résultats.

CANAUX AMBIOPHONIQUES AVANT GAUCHE ET DROITE

Si vous utilisez des enceintes arrière de type TFE60, TFE100 ou TFE200, placez-les près des murs latéraux et légèrement en arrière de la position d'écoute (Figure 1). Si cela n'est pas pratique, vous pouvez les placer le long du mur arrière de part et d'autre de la position d'écoute (Figure 2). Pour obtenir les meilleurs résultats, placez les enceintes ambiophoniques à égale distance de la position d'écoute.

SYSTÈME AUDIO MULTIVOIE

Les TFE feuilletton ont été conçues pour offrir toute l'étendue de définition, de bande passante et de dynamique d'un système audio 5.1 (SACD ou DVD-Audio) avec un réalisme étonnant. D'ailleurs, TFE100 ou TFE200 descendent si bas en fréquence qu'il est possible d'éliminer le caisson de graves et de réaliser un système complet avec seulement cinq TFE100 ou TFE200. Dans ce cas, assurez-vous que la capacité de gestion des graves du récepteur ou du processeur ambiophonique est suffisante pour diriger toute la gamme des signaux vers les cinq enceintes principales (voir la Figure 3). Les timbres des deux modèles sont compatibles, ce qui permet d'obtenir, avec un système à cinq canaux constitué d'une combinaison d'enceintes TFE100 et TFE200, une image dimensionnelle résultante homogène et un enveloppement musical total. Vous pouvez par exemple utiliser trois enceintes TFE200 à l'avant (gauche, centre et droite) et deux enceintes TFE100 à l'arrière (gauche et droite). Une autre solution consiste à utiliser des enceintes TFE100 ou TFE200 à l'avant gauche et droit, une enceinte TFE60C pour le canal central et des enceintes TFE60 à l'arrière gauche et droit.

SYSTÈME STÉRÉO À DEUX CANAUX

Pour obtenir une restitution stéréophonique la plus réaliste possible avec des enceintes de type TFE60, TFE100 ou TFE200 dans un système stéréo à deux canaux, placez les enceintes de façon à former avec la position d'écoute un triangle équilatéral (Figure 4). La focalisation de l'image stéréo peut être améliorée en tournant légèrement les enceintes vers la position d'écoute.

El volumen de los bajos se puede aumentar acercando los altavoces hacia la pared de atrás. Esto puede a veces degradar la imagen frontal. Decida cuál es la mejor ubicación según su preferencia. Para lograr la mejor formación de imágenes, recomendamos que los altavoces queden a por lo menos 24 plg. de la pared de atrás y 36 plg. de las paredes laterales.

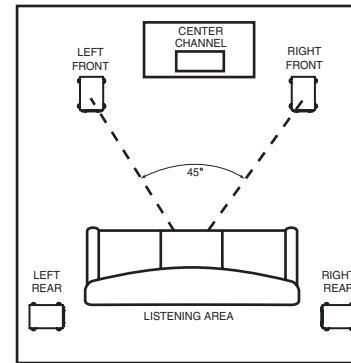


Figura 1

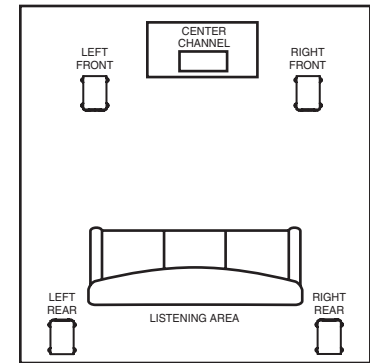


Figura 2

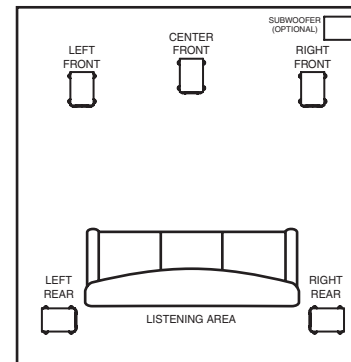


Figura 3

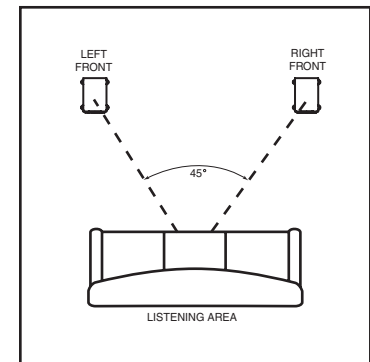


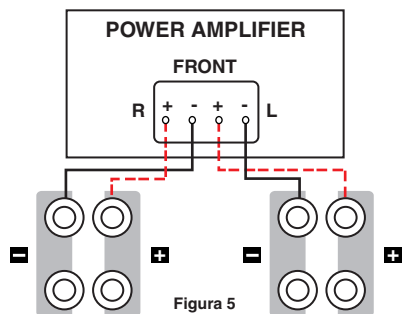
Figura 4

CONEXIÓN

Utilice cable para altavoces calibre 16 (o más grueso) para conectar los altavoces al amplificador o receptor. Corte el cable dejando 12 a 24 plg. adicionales en cada uno de los extremos para permitir mover el altavoz o receptor.

Con un pelacables o un cuchillo afilado, quite 1/2 plg. de aislamiento de cada uno de los extremos del cable para exponer el conductor. Retuerza los extremos de los conductores para evitar que se deshíachen. Conecte los conductores a las terminales de la parte de abajo o de atrás del altavoz como se indica a continuación. Desatornille la tapa de la terminal lo suficiente como para exponer el agujero del vástago. Introduzca el conductor expuesto en el agujero y apriete la tapa de la terminal. Repita este paso para conectar el cable al amplificador o receptor. Consulte el Manual del propietario incluido con el sistema electrónico para hacer el cableado correcto.

Nota: Para que el rendimiento sea correcto, el cable de la terminal roja (+) del altavoz debe ir conectado a la terminal roja (+) del amplificador o receptor. Igualmente, el cable de la terminal negra (-) del altavoz debe ir conectado a la terminal negra (-) del amplificador o receptor (Figura 5).



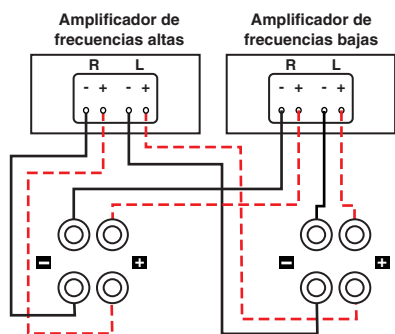
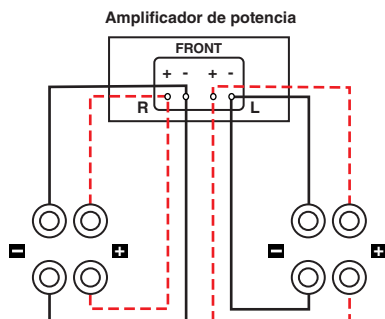
Una vez que los altavoces estén conectados, encienda el sistema electrónico y pruébelo para asegurarse de que los altavoces funcionan bien. Si los altavoces tienen un sonido "delgado" con pocos bajos y mala imagen central, es probable que uno de los cables de altavoz esté conectado al revés. Revise todas las conexiones para asegurarse de que tengan la polaridad correcta.

CABLEADO DOBLE Y AMPLIFICACIÓN DOBLE

Si decide hacer cableado doble o amplificación doble, quite los puentes planos de metal que hay entre las terminales. No hacer esto puede dañar el amplificador y los altavoces.

El **cableado doble** (Figura 6) puede mejorar considerablemente la transparencia general de los altavoces. Encamine cables de altavoz separados a los excitadores de frecuencias altas y frecuencias bajas a partir de un solo amplificador. Después de quitar los puentes, conecte un conjunto de cables a las terminales superiores de cada altavoz y un conjunto de cables (por lo general más gruesos) a las terminales inferiores. Conecte los otros extremos de los dos conjuntos de cables a las salidas correspondientes del amplificador.

La **amplificación doble** (Figura 7) permite usar amplificadores separados para las secciones de frecuencias altas y frecuencias bajas del altavoz a fin de lograr mayor gama dinámica y menor distorsión. Después de quitar los puentes, conecte los cables de altavoz de las salidas de frecuencias altas del amplificador al conjunto de terminales superiores de cada altavoz. Siga el mismo procedimiento para conectar las salidas de frecuencias bajas del amplificador inferior de terminales de cada altavoz. Recuerde mantener la polaridad correcta (+ a +, - a -) en todas las conexiones.



RETIRO DE LA REJILLA

La rejilla de acero se puede quitar aflojando con una llave Allen de 3/16 plg. el tornillo de cada uno de los cuatro sujetadores plásticos que la fijan. Cuando se quitan los tornillos, los sujetadores se aflojan y la rejilla se suelta.

MONTAJE EN LA PARED

Los altavoces TFE60 y TFE60C tienen insertos roscados en la parte de atrás de la caja que funcionan con sistemas de montaje opcionales que permiten montar los altavoces en la pared. Recomendamos las monturas de pared de la serie 30.0 o la serie 60.0 de Omnimount Systems (www.omnimountpro.com) para estos sistemas.

SPIKE-FÜSSE

Der TFE100 und der TFE200 verfügen über verstellbare Teppich-Spikes, mit denen der Lautsprecher fest in Teppichböden verankert werden kann. Bei Auslieferung der Lautsprecher sind die Spikes in den Plastikfüßen versenkt. Verwenden Sie die Lautsprecher in dieser Konfiguration, wenn Sie die Lautsprecher auf den Füßen statt auf den Spikes aufstellen wollen. Wenn Sie die Spikes verwenden wollen, folgen Sie diesen Schritten, um die Spikes nach unten auszufahren:

- 1) Kippen Sie den Lautsprecher vorsichtig auf die Seite oder nach hinten um.
- 2) Lösen Sie die Mutter am Spike mit einem Schraubenschlüssel.
- 3) Lösen Sie den Spike, bis er die gewünschte Länge ab Unterseite der Füße hat.
- 4) Drehen Sie die Mutter fest gegen die Unterseite des Lautsprechers an.
- 5) Wiederholen Sie diesen Vorgang bei den drei anderen Füßen.
- 6) Heben Sie den Lautsprecher wieder vorsichtig in die aufrechte Lage.

ABNEHMBARE FÜSSE

Die Modelle TFE60C und TFE60 besitzen optionale Schaumstoff-Füße, die im Karton lose beiliegen. Wenn der Lautsprecher auf einem Regal oder Fernsehgerät aufgestellt (also nicht an der Wand befestigt) wird, können die Füße an der Unterseite des Gehäuses angebracht werden. Entfernen Sie dazu einfach die Folie von der Klebseite der Füße und befestigen Sie diese in der Nähe der Ecken des Gehäuses.

WARTUNG UND PFLEGE

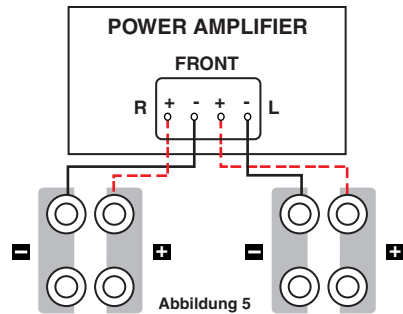
Ihre Lautsprecher können mit einer Vielzahl von elektronischen Komponenten zusammenarbeiten. Selbst nur 30 Watt pro Kanal kann für die meisten Anwendungen genug sein. Wenn Sie ein großes Zimmer haben oder eine höhere Lautstärke bevorzugen, kann mehr Leistung erforderlich sein.

Vorsicht: Überschreiten Sie bei der Auswahl eines Verstärkers nicht die Belastbarkeit des Lautsprechers. Wenn Sie viel deutlich hörbare Verzerrung feststellen, haben Sie die Belastbarkeit des Systems überschritten. Diese Verzerrung kann Schäden hervorrufen, also sollten Sie die Lautstärke reduzieren, bis die Verzerrung verschwindet.

Folgen Sie diesen Richtlinien, um das Aussehen Ihres Verstärkers zu pflegen. Reinigen Sie das Lautsprechergehäuse mit einem weichen, feuchten Tuch. Vermeiden Sie scharfe Reinigungsmittel. Reinigen Sie keine Lautsprecherkomponenten mit einem Staubsauger, da dies dauerhafte Schäden verursachen könnte.

TECHNISCHE UNTERSTÜTZUNG

Weitere technische Hilfe finden Sie auf unserer Website bei dcmsspeakers.com. Sie können unseren technischen Kundendienst auch telefonisch erreichen: (USA) 1-877-DCM-LOUD oder per E-Mail: technical@dcmsspeakers.com.



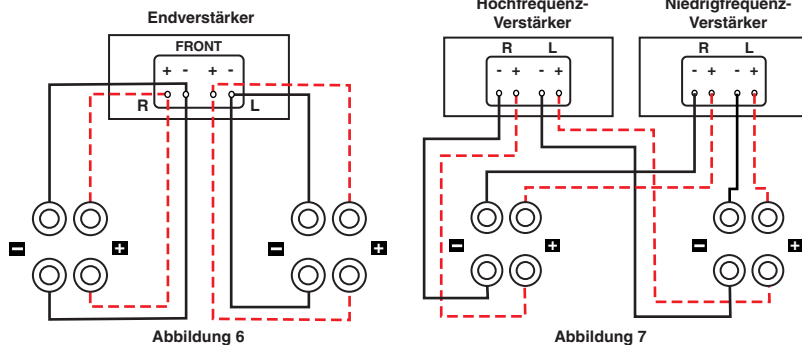
Nachdem Ihre Lautsprecher angeschlossen sind, sollten Sie Ihre Geräte einschalten, um zu testen, ob diese richtig funktionieren. Wenn Ihre Lautsprecher „dünn“ klingen und wenig Bass und ein schlechtes Mittelklangbild haben, ist eines der Lautsprecherkabel wahrscheinlich falsch angeschlossen. Prüfen Sie alle Anschlüsse auf die richtige Polarität.

BI-WIRING UND BI-AMPING

Wenn Sie Bi-Wiring oder Bi-Amping einsetzen wollen, müssen Sie die Metallstreifen zwischen den Anschluss terminals entfernen. Ansonsten könnten Sie den Verstärker und die Lautsprecher beschädigen.

Bi-Wiring (Abb. 6) kann eine deutliche Verbesserung in der Klangtransparenz Ihrer Lautsprecher hervorrufen. Verwenden Sie hierzu separate Kabel von einem Verstärker zu den Tief- und Hochtönern. Nachdem Sie die Drahtbrücken entfernt haben, verbinden Sie eine Lautsprecherkabelgruppe mit den oberen Terminals an jedem Lautsprecher und eine andere Gruppe (meist dickeres Kabel) mit den unteren Terminals. Verbinden Sie die anderen Enden beider Kabelgruppen mit den entsprechenden Ausgängen am Verstärker.

Bi-Amping (Abb. 7) ermöglicht es Ihnen, separate Verstärker für den Hoch- bzw. Tieftonbereich Ihrer Lautsprecher zu verwenden, um so einen breiteren Dynamikbereich und weniger Verzerrung zu erzielen. Verbinden Sie nach Entfernung der Drahtbrücken die Lautsprecherkabel von den Hochfrequenz-Verstärkerausgängen mit der oberen Terminalgruppe an jedem Lautsprecher. Folgen Sie diesem Verfahren, um entsprechend die Niedrigfrequenz-Verstärkerausgänge mit den unteren Terminalgruppen zu verbinden. Vergessen Sie nicht, bei allen Anschlüssen auf die korrekte Polarität (+ an +, - an -) zu achten.



ENTFERNEN DES LAUTSPRECHERGRILLS

Zum Abnehmen des Lautsprechergrills lösen Sie die vier Schrauben in den Plastikhalterungen des Grills mit einem 3/16-Zoll-Inbusschlüssel. Nach Entfernen der Schrauben lösen sich die Halterungen, und der Grill kann abgenommen werden.

WANDBEFESTIGUNG

Der TFE60 und der TFE60C verfügen über Gewindebohrungen, an der Rückseite des Gehäuses, so dass die Lautsprecher mit (optionalen) Wandbefestigungssystemen an einer Wand montiert werden können. Wir empfehlen die Wandbefestigungen von Omnimount Systems der Serien 30.0 oder 60.0 (www.omnimountpro.com) zur Verwendung mit diesen Systemen.

PATAS DE PÚA

Los altavoces TFE100 y TFE200 tienen púas ajustables para alfombra que se pueden usar para anclar el altavoz con seguridad al piso en superficies con alfombra. Los altavoces se envían con las púas retraídas en las patas de plástico. Utilice los altavoces en esta configuración si no tiene intenciones de utilizar las púas y desea que los altavoces queden sobre las patas. Si desea que los altavoces queden sobre las púas, siga los siguientes pasos para bajar las púas hasta más abajo de la base de las patas.

- 1) Incline cuidadosamente el altavoz hasta dejarlo sobre la parte de atrás o sobre uno de los lados
- 2) Con una llave, afloje la tuerca en el vástago de la pata
- 3) Desatornille la púa hasta el nivel deseado por debajo de la base de la pata
- 4) Apriete la tuerca firmemente contra la base del altavoz
- 5) Repita este proceso en las otras tres patas
- 6) Levante cuidadosamente el altavoz hasta que vuelva a quedar en posición vertical

PATAS DESMONTABLES

Los altavoces TFE60C y TFE60 tienen patas de espuma opcionales que se envían sueltas en la caja. Si el altavoz se puede montar en una estantería o sobre un televisor (no en la pared), las patas se pueden aplicar a la parte de abajo de la caja del altavoz. Simplemente quite el revestimiento del lado adhesivo de las patas y móntelas cerca de las esquinas de la caja del altavoz.

CUIDADO Y MANTENIMIENTO

Los altavoces han sido diseñados para funcionar con una amplia gama de componentes electrónicos. Bastan 30 vatios por canal para dar suficiente potencia a la mayoría de las aplicaciones. Si tiene una sala grande, o si prefiere niveles altos de audición, es posible que necesite más potencia.

Precaución. Cuando escoja un amplificador, no exceda el valor nominal de potencia del altavoz. Si hay mucha distorsión, está excediendo las capacidades del sistema. Esta distorsión puede causar daños; baje el volumen hasta que la distorsión desaparezca.

Siga las siguientes pautas para mantener el buen aspecto de sus altavoces. Limpie la caja con un paño suave húmedo. No use detergentes o líquidos limpiadores fuertes. No le pase la aspiradora a ninguno de los componentes del altavoz; puede causar daños permanentes.

ASISTENCIA TÉCNICA

Para obtener asistencia técnica adicional, puede visitar nuestro sitio Web en dcmsspeakers.com. De otro modo, puede comunicarse por teléfono con nuestros representantes de servicio técnico llamando al 1-877-DCM-LOUD o escribiendo por correo electrónico a technical@dcmsspeakers.com.

EINFÜHRUNG

Herzlichen Glückwunsch zum Kauf Ihrer Lautsprecher der Serie DCM Time Frame Evolution. Ihre neuen Lautsprecher stellen den Stand der Technik hinsichtlich Design und Herstellung von Lautsprechern dar. Sie werden Ihnen eine hervorragende Leistung und jahrelangen Hörgenuss bieten. Lesen Sie sich bitte dieses Handbuch sorgfältig durch, um das Beste aus Ihren Lautsprechern herauszuholen.

FEATURES

- Videoabschirmung zur Platzierung neben einen Fernseher oder Monitor
- Soft-Dome-Hochtöner (30 mm)
- Mitteltöner mit Kevlar-Membran in einem separaten, geschlossenen Gehäuse (TFE100 and TFE200)
- Kevlar kegel Tieftöner (TFE60 and TFE60C)
- Glasfaser-Membran-Tieftöner (TFE100 and TFE200)
- Intern versteifte mitteldichte Faserplatten-Gehäuse, 1 Zoll dicke vordere Schallwand
- Bi-Amping möglich
- Nickelbeschichtete Fünffach-Anschluss terminals
- Oberfläche in edlem Harmony Teak passt zu jeder Inneneinrichtung
- Perforierter, abgerundeter Stahl-Lautsprechergrill
- Füße mit verstellbaren oder abnehmbaren Teppich-Spikes (TFE100 and TFE200)
- Schäumen Sie Füße (TFE60 and TFE60C)
- Zehnjährige DCM-Garantie

LAUTSPRECHER-PLATZIERUNG

Alle Lautsprecher der Serie DCM Time Frame Evolution bieten sowohl tiefen, starken Bass als auch eine klare, natürliche Hochtonleistung. Da die Lautsprecherleistung durch viele Faktoren beeinflusst wird, gibt es keine Universalregel für die Lautsprecher-Platzierung. Wenn Sie den folgenden Regeln folgen und etwas experimentieren, erreichen Sie die besten Ergebnisse.

HEIMKINO-SYSTEM

VORDERER LINKER UND RECHTER KANAL

Um vorne ein realistisches Klangbild zu erzielen, müssen Sie die Lautsprecher so platzieren, dass die vorderen linken und rechten Lautsprecher mit der Hörposition ein gleichseitiges Dreieck bilden (Abb. 1). Die Klangdefinition kann dadurch verbessert werden, dass Sie die Lautsprecher leicht nach innen auf die Hörposition hin drehen. Stellen Sie die Einstellung „Front Speaker Size“ (o. ä.) am Surround-Prozessor oder Receiver auf „Large“ ein.

Der Basspegel kann dadurch verstärkt werden, dass Sie die Lautsprecher näher an der hinteren Wand aufstellen. Manchmal verschlechtert dies aber das vordere Klangbild. Wägen Sie selbst ab, was Ihnen am besten gefällt. Wir empfehlen, die Lautsprecher mindestens 60 cm von der hinteren Wand und 90 cm von den Seitenwänden entfernt zu platzieren, um ein optimales Klangbild zu gewährleisten.

LINKER UND RECHTER SURROUND-KANAL

Wenn Sie den TFE60, TFE100 oder TFE200 als Lautsprecher für den hinteren Kanal verwenden, sollten diese an der Seitenwand und etwas hinter der Hörposition (Abb. 1) platziert werden. Ist dies nicht praktikabel, so können sie an der hinteren Wand an beiden Seiten der Hörposition (Abb. 2) aufgestellt werden. Am besten sollten die Surround-Lautsprecher im jeweils gleichen Abstand zur Hörposition platziert werden.

MEHRKANAL-AUDIOSYSTEM

Das TFE Serie bieten die volle Auflösung, Bandbreite und den Dynamikbereich von 5.1-Kanal-Audio (entweder SACD- oder DVD-Audio) mit erstaunlichem Realismus. Beide TFE100 and TFE200 bieten sogar einen so tiefen Bassbereich, dass man den Subwoofer weglassen und stattdessen fünf TFE100 bzw. TFE200 für das gesamte System verwenden kann. Vergewissern Sie sich, dass Ihr Surround-Prozessor oder Receiver über eine ausreichende Bass-Managementfunktion verfügt, um Vollbereichssignale an die fünf Hauptlautsprecher zu leiten, wenn Sie keinen Subwoofer einsetzen (siehe Abb. 3). Beide Modelle sind in der Klangfarbe identisch, so dass man in einem Fünfkanaal-System mit einer Kombination aus TFE100 und TFE200 ein nahtloses dreidimensionales Klangbild und eine totale Musikumgebung erzielen kann. Beispielsweise könnten drei TFE200 für den vorderen linken, rechten und mittleren Kanal und zwei TFE100 für den linken und rechten hinteren Kanal verwendet werden. Die Modelle TFE100 und TFE200 können auch als vordere linke und rechte Lautsprecher verwendet werden, der TFE60C als Center-Lautsprecher, und das Modell TFE60 als hintere linke und rechte Lautsprecher.

ZWEIKANAL-STEREOSYSTEM

Bei der Verwendung des TFE60, TFE100 oder TFE200 in einem Zweikanal-Stereosystem erzielt man das realistischste Klangbild, indem man die Lautsprecher so platziert, dass sie mit der Hörposition ein gleichseitiges Dreieck bilden (Abb. 4). Die Stereo-Klangdefinition kann dadurch verbessert werden, dass Sie die Lautsprecher leicht nach innen auf die Hörposition hin drehen.

Der Basspegel kann dadurch verstärkt werden, dass Sie die Lautsprecher näher an der hinteren Wand aufstellen. Manchmal verschlechtert dies aber das Stereo-Klangbild. Wägen Sie selbst ab, was Ihnen am besten gefällt. Wir empfehlen, die Lautsprecher mindestens 60 cm von der hinteren Wand und 90 cm von der Seitenwand entfernt zu platzieren, um ein optimales Klangbild zu gewährleisten.

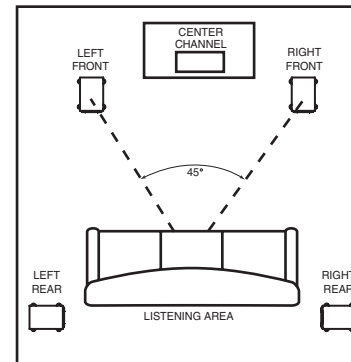


Abbildung 1

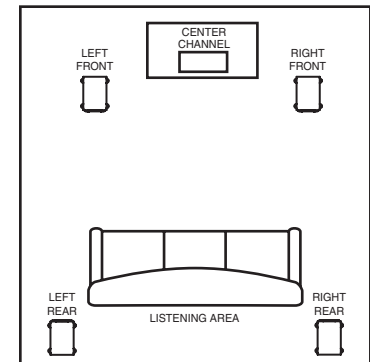


Abbildung 2

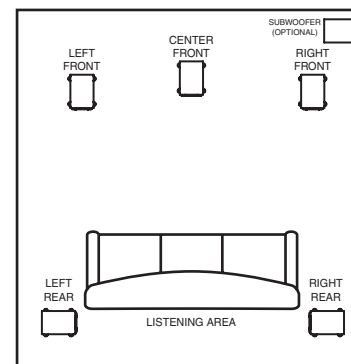


Abbildung 3

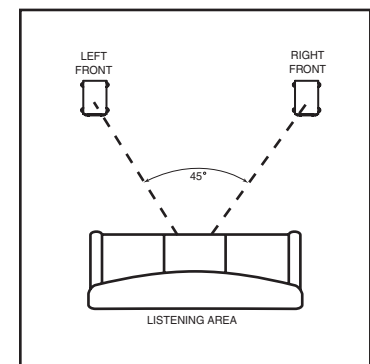


Abbildung 4

ANSCHLUSS

Verwenden Sie zum Anschluss an Ihren Verstärker oder Receiver Lautsprecherkabel Gauge 16 oder dicker. Lassen Sie beim Zuschnitt der Kabel an beiden Enden je 30 bis 60 cm Kabel übrig, damit Sie den Lautsprecher oder Receiver umstellen können.

Verwenden Sie einen Drahtabschneider oder ein scharfes Messer zum Absisolieren von etwa 1,2 cm Drahtlänge an jedem Ende. Verdrehen Sie die Drahtenden, damit sie nicht ausfransen. Verbinden Sie die Adern mit den Anschluss terminals an der Unter- oder Rückseite des Lautsprechers, indem Sie die Terminals genug losschrauben, um die Löcher sichtbar werden zu lassen. Schieben Sie die blanke Ader durch das Loch und drehen Sie das Terminal fest. Wiederholen Sie diesen Schritt, um den Anschluss an Ihren Verstärker oder Receiver herzustellen. Das Bedienungshandbuch Ihres Geräts zeigt Ihnen, wie man es korrekt anschließt.

Hinweis: Um einen korrekten Betrieb sicherzustellen, muss das Kabel vom roten Terminal (+) am Lautsprecher mit dem roten Terminal (+) an Ihrem Verstärker oder Receiver verbunden werden. Entsprechend muss das Kabel vom schwarzen Terminal (-) am Lautsprecher mit dem schwarzen Terminal (-) an Ihrem Verstärker oder Receiver verbunden werden. (Abb. 5)